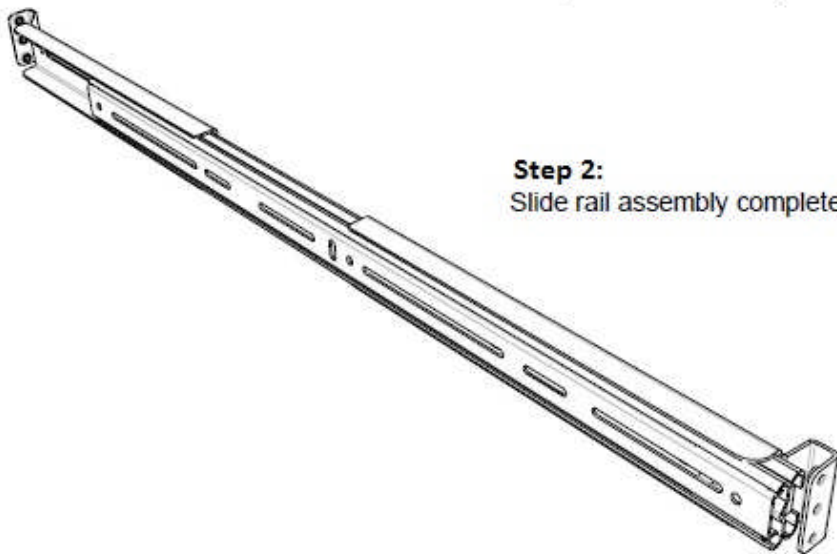
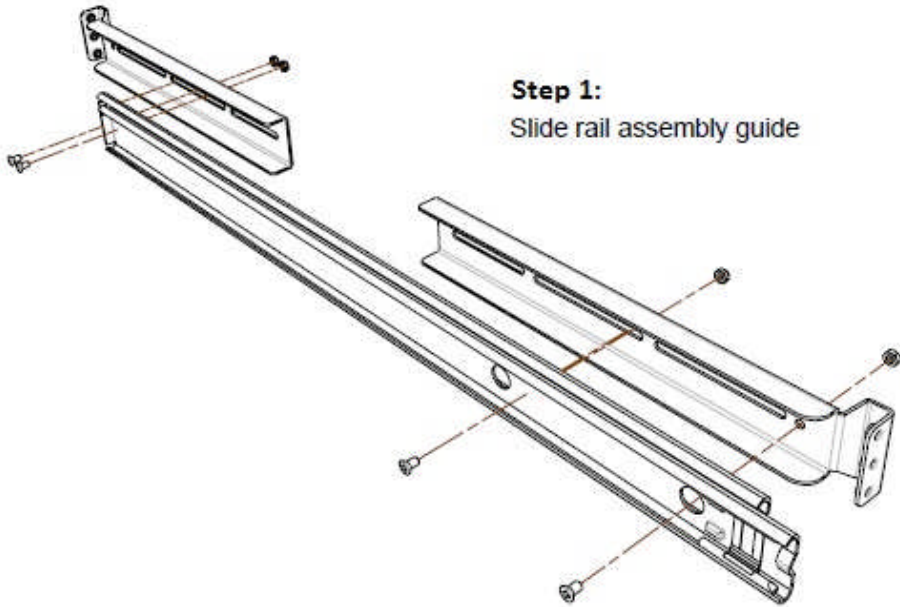
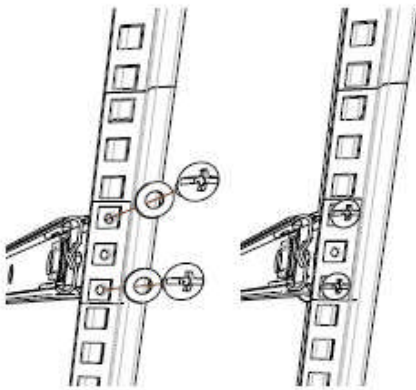


Installation Guide

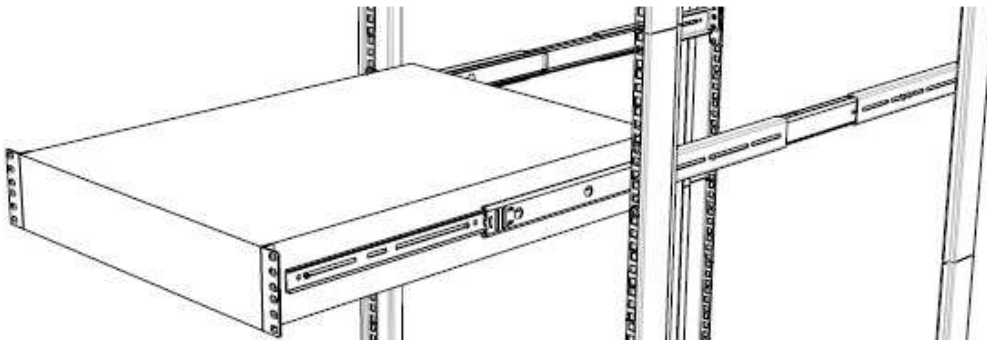
Note: This slide rail is for use on most 2U, 3U, 4U rackmount server chassis





Step 3:

While installing 1U and 3U chassis with cabinet, please install the slide rail at the center of two sides of 1U and 3U chassis.



Step 4:

While installing 2U and 4U chassis with cabinet, please install the stacked mounting converter to slide rail bracket .

